



Captair 321 Smart & Midcap

Ductless filtering fume hoods

Safer to operate

- Exclusive Erlab filtration technology combining activated carbon and HEPA/ULPA to adapt to the manipulation
- Meets AFNOR NFX 15 211/ANSI Z9.5-2012 filtration efficiency standard (class 1* and 2)
- Real time sensors to detect main filter saturation with solvents, acids or formaldehyde*
- Safety filter in case of main filter saturation
- Air face velocity permanent monitoring
- Erlab Safety Program: application analysis and validation, usage framework certification, usage follow-up
- Connected device allowing reception of safety notifications and use status*

Simpler to use

Real time status communication by light and sound pulses*:

- Air face velocity decrease
- Main filter saturation
- Fan failure
- Excess scheduled working time

Flexibility

- Modular filtration column adapting to application changes
- Easy and fast relocation

Savings

- No ductwork cost
- Annual energy cost < 100 €
- Compared to an extraction fume cupboard, energy savings compensate filter replacement cost

Environment

- No chemical release into the atmosphere
- Low energy consumption

*: Not available on Captair 321 Midcap



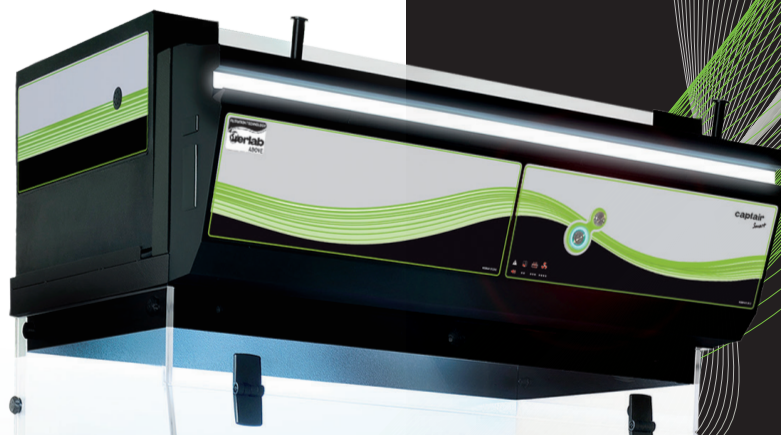
Ask for the highest level of filtration performances



Powerful light guided communication



Connect your equipment and benefit from the remote access thanks to our mobile solutions

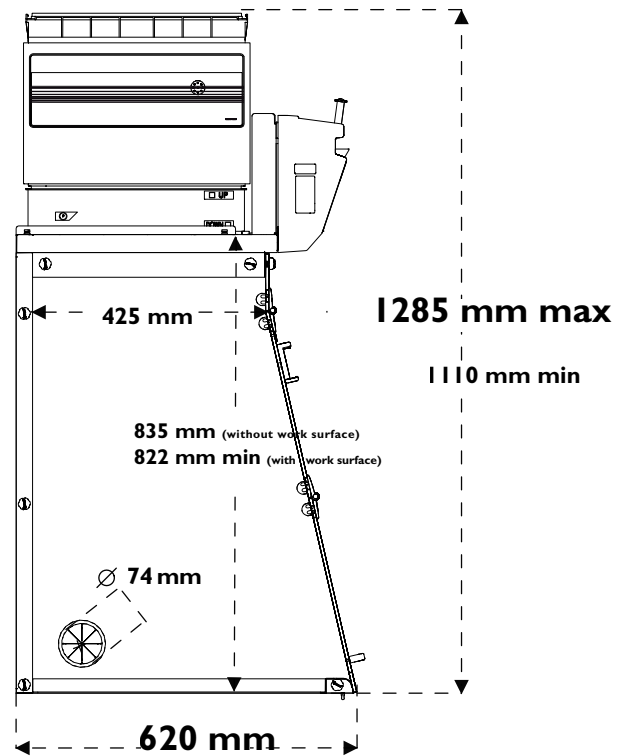
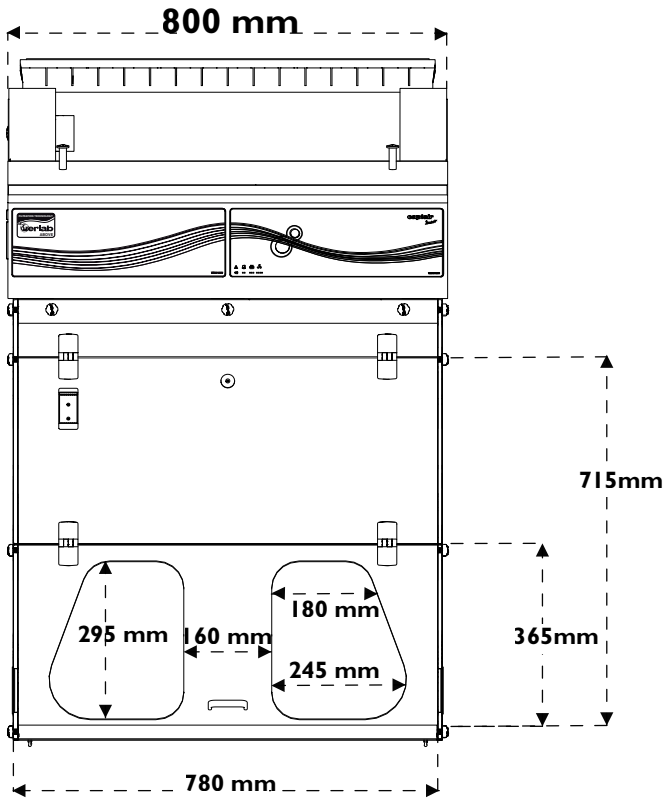


Download our eGuard application



Captair 321 Smart & Midcap

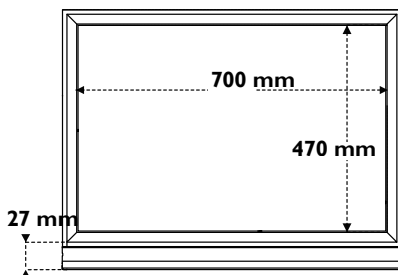
Ductless Filtering Fume Hoods



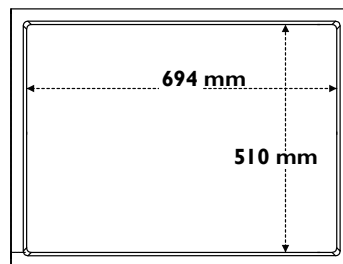
Heights according to the filtration column configuration		
Type 1C or 1P	1110 mm	Please add 150mm between the last filter and the ceiling to allow a good air recirculation and to replace filters easily
Type 2C or 1P1C or 1C1P*	1205 mm	
Type 1P2C or 1P1C1P*	1285 mm	

Work surfaces with built in spill tray

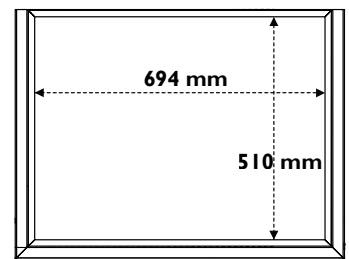
Tempered glass



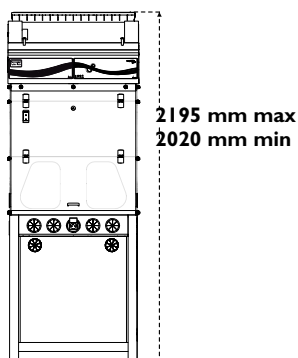
Trespa® Top Lab^{PLUS}



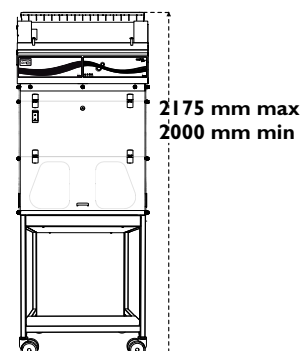
304 L stainless steel



Benchcap: fixed work bench



Mobicap : mobile rolling cart





Modular design of the filtration column allows to adapt to every protection needs

		Products handled / Applications			
		Liquid chemicals handlings	Powders handlings	Liquid chemicals and powders handlings	Liquid chemicals handlings in clean room
Customized filtration column	Class 1* according to the NF X 15-211	2C Maximum protection	NA	1P2C Maximum protection	2C1P Maximum protection
	Class 2 according to the NF X 15-211	1C	1P	1P1C	1C1P

Available filters :

<p>C </p> <p>Carbon filtration for gases and vapours AS: For organic vapours BE+: Polyvalent for acid + organic vapours F: For formaldehyde vapours K: For ammonia vapours</p>	<p>P </p> <p>Particulate filtration for powders HEPA H14: 99.995 % efficiency filtration of particles over 0.1 µm in size ULPA U17: 99.99995 % efficiency filtration of particles over 0.1 µm in size</p>	<p> Ventilation</p> <p>Molecode Automatic alarm to detect filter saturation</p>
--	---	---

Safety Standards	AFNOR NF X 15-211:2009: France - BS 7989: England DIN 12 927:Germany - EN 1822:1998 (HEPA H14 & ULPA U17 Filters) - CE Marking
Air Flow	220 m3/h - 135 CFM
Air Face Velocity	0.4 to 0.6 m/s - 79 fpm to 118 fpm
Voltage/Frequency	220 V / 50-60 Hz
Power consumption	65 W
Sash openings	Oblong
Structure	Corrosion resistant electro-galvanized steel coated with anti-acid polymer
Side and front panels	Chemical resistant acrylic
Filtration module	Polypropylene

Equipment

Communication interface*	Simple communication by audible and light pulses: unit running time, air face velocity, automatic filter saturation detection, ventilation settings, fan failure alarm
Filtration technology	1 column that can be configured to handle liquids, powders, or both
Carbon filtration for gases and vapours	Following filtration column configuration (see table above)
Particulate filtration for powders	Following filtration column configuration (see table above)
eGuard*	APP for remote control to monitor the hood, change the settings, and deliver safety alerts immediately to your devices (mobile, tablet and PC)
Internal lighting*	LED lighting > 650 Lux
Anemometer*	Air face velocity alarm
Anemometer**	Air face velocity indicator
Chemical Listing	List of approved chemicals

Accessories

Work Surfaces	Trespa® Top Lab ^{plus} , Glass or 304L Stainless Steel
Molecode*	Detection sensor for : Type S, for solvents / Type A, for acids / Type F, for formaldehyde
Benches	Mobile (Mobicap) or fixed (Benchcap)
Bench equipment	Technical gases outlets, water outlets, front control valves, sink, power sockets (Only compatible with Trespa® Top Lab ^{plus} worktop and fixed bench)
Particulate Pre-filter	Protects the main filter(s) from dust
Transparent Back Panel	Clear acrylic panel for easy viewing

*: Not available on Captair Midcap / **: Not available on Captair Smart



Erlab

Our mission: guarantee your protection in the lab

Erlab invented the first filtration fume hood in 1968. 45 years of expertise in chemicals filtration enable us to guarantee your protection throughout the following aspects:

1 R&D laboratory

A worldwide unique lab as a warrant to Erlab expertise in filtration. Erlab innovates constantly to design highest level of chemical protection technologies.

2 Safety standards

Our products performances are certified by compliance with the AFNOR NF X 15 211 standard.

3 Independent tests

Our filtration technology has been tested multiple times by an independent laboratory according to AFNOR NF X 15 211 requirements. Results prove filters efficiency to maintain concentration in recirculated air at lower than 1% of tested chemicals TLV.

4 Chemical listing

Our unique know-how enable us to communicate on our filters retention capacities over 700 chemicals, following AFNOR NF X 15 211 requirements.

5 Erlab Safety Program

Our safety program is the warrant of your protection at all stages: any project begins with an application analysis to allow our lab to recommend the suitable solution. All installed equipments are then followed-up to guarantee the highest level of protection over time.

6 Our questionnaire

Allows our lab specialists to recommend adapted filtration fume hood, filter type and predictive life-time, such as personalised assessment.

7 We make your fume hood uses a commitment

Our laboratory provides a usage certificate for each fume hood, in compliance with AFNOR NF X 15 211 requirements.

France
+33 (0) 2 32 09 55 80 | ventes@erlab.net

USA
+1 800-964-4434 | captairsales@erlab.com

China
+86 (0) 512 5781 4085 | sales.china@erlab.com.cn

Malaysia
+60 (0) 7 3 555 724 | erlab@tm.net.my

Germany
0800 330 47 31 | verkauf@erlab.net

United-Kingdom
+44 (0) 1722 341 940 | salesuk@erlab.net

Italy
+39 (0) 2 89 00 771 | vendite@erlab.net

Spain
+34 93 673 24 74 | ventas@erlab.net

